

**JOINT APPLICATION AND NOTIFICATION
U.S. ARMY CORPS OF ENGINEERS
MISSISSIPPI DEPARTMENT OF MARINE RESOURCES
MISSISSIPPI DEPARTMENT OF ENVIRONMENTAL
QUALITY/OFFICE OF POLLUTION CONTROL**

Applicant: Eric Hyde
Mailing Address:

Agent: Krause
Construction, LLC -
Paul Krause
Mailing Address: 10229
Eagle Point Circle
Biloxi MS, 39532

Date Submitted:

07/05/2022

DMR Permit Number:
DMR22-000456

Historic DMR Permit Numbers:

DMR22-000456

DMR File Number:

22-000404

Project Location:

1010B-04-003.002
10837 WATERSIDE DR
Gulfport, MS 39503
Harrison County

Latitude: 30.4123

Longitude: -89.0179

Do you still need to enter a Project Location?

How will you identify the project location:

Project Information:

Project Name or Title: Boat lift addition

Project Description: We are going to install a boat lift (4 pole top mount) with a finger pier down one side

Project Purpose and Need: No public benefit besides freeing up space at the local boat launch

Intended Use: Residential

Will the Proposed Project have a Public Benefit?: No

Increased tax base:

Increased employment:

National security benefits:

Improved habitat:

Other:

Does Project area contain any marsh Vegetation?: No

What measures will be taken to reduce detrimental off-site effects to the Coastal Wetlands during and after the proposed activity?: Best Management Practices

Impact Information:

**Number of
Impact Types** **01**

Impact Type: **Pier**

New or New

Maintenance

Length	40.00
Width	5.00
Number of piers with the same dimensions? (Pier)	1
Method of piling installation1(Pier, Boathouse, Pilings)	1. Pile driver
Is this a component of a larger project?	Yes
Project Type	boat house
Is any portion of this impact complete?	Yes

Additional information relating to the proposed activity

Have any other federal, state, or local agencies issued permits or other types of approvals for the proposed project?: No

Have any other federal, state, or local agencies denied approval for the proposed project?: No

Project Schedule

Do you know the Proposed Start Date? Yes
08/29/2022

Do you know the Proposed Completion Date? Yes

09/01/2022

Do you know the Estimated Cost of the Project? Yes
\$25,000.00

Adjacent Property Owners:

Application Certified by: Paul Krause

ADDRESS 0

DMK# DMR22-000456

5' ← 330

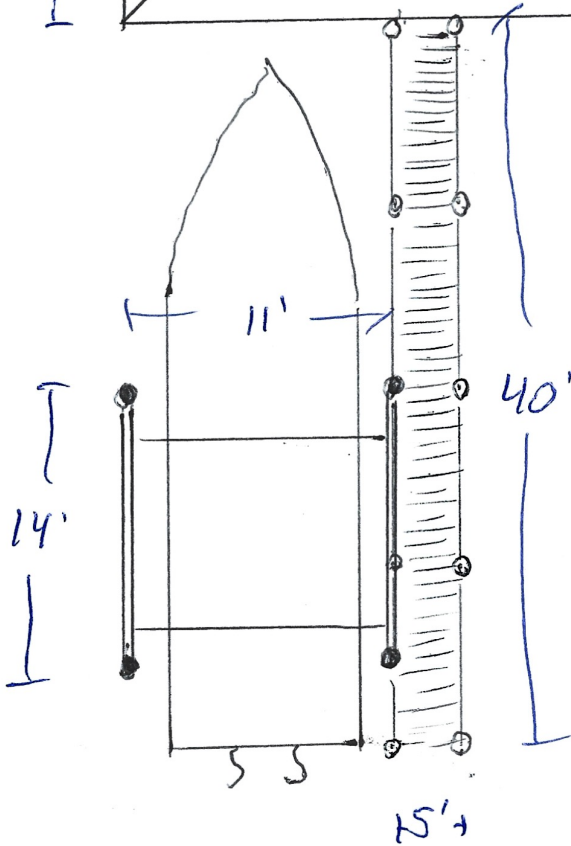
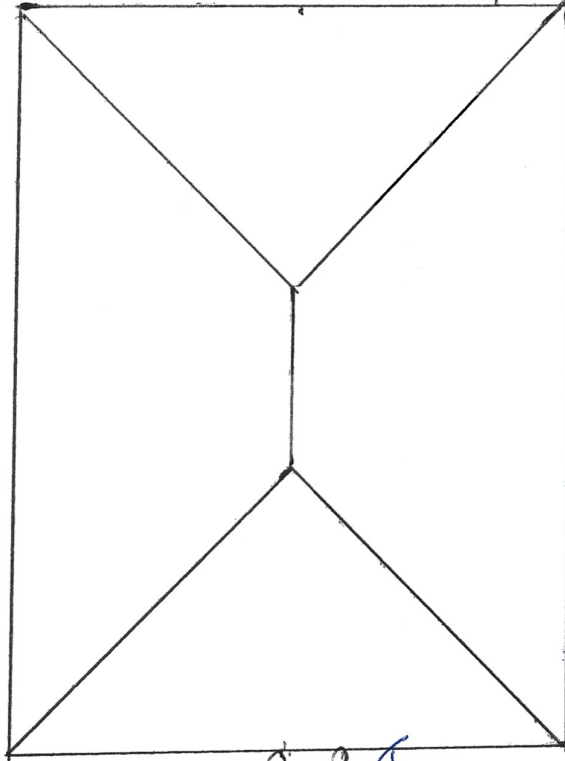
10837 Waterside Dr.

42'

Gulfport MS
39503

ERIC Hyde.

40'



(4) 35-40' Piles Boat Lift
 (8) 30-35' Piles Pier